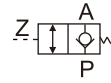


# Pilot no-return valve

## PCV series



### Ordering code

**PCV 06 □ T**

① ② ③ ④

① Model	② Port size	③ Pilot port type			④ Thread type	
PCV: Pilot no-return valve	06: 1/8" 08: 1/4" 10: 3/8" 15: 1/2"	Pilot port type		Pilot port size	Inlet/outlet port size	
		Blank: Female thread		M5X0.8	1/8"	1/8"
					1/8"	1/4"
					1/4"	3/8", 1/2"
				T: NPT		

### Specification

Model	PCV06	PCV08	PCV10	PCV15
Fluid	Air (to be filtered by 40μm filter element)			
Operating pressure range	22~145psi(0.15~1.0MPa)			
Proof pressure	215psi(1.5MPa)			
Temperature	-20~70(°C)			
Operating frequency	6(Cycle/minute)		40(Cycle/minute)	
Port size [Note1]	1/8"	1/4"	3/8"	1/2"
Pilot port size	M5X0.8	1/8"	1/4"	1/4"
Weight(g)	53.2	94.8	142.8	189.6

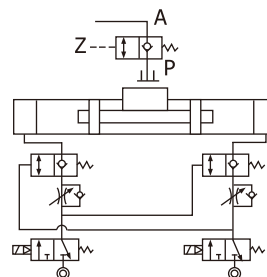
[Note1] NPT thread is available.

### Product feature

1. Can be used for safety loop of pressure holding.
2. Can make cylinder momentary stop, accurate orientation.
3. Can be used special loop.
4. Fitting joint type is used for pilot port, which saved space and improve efficiency of installation.

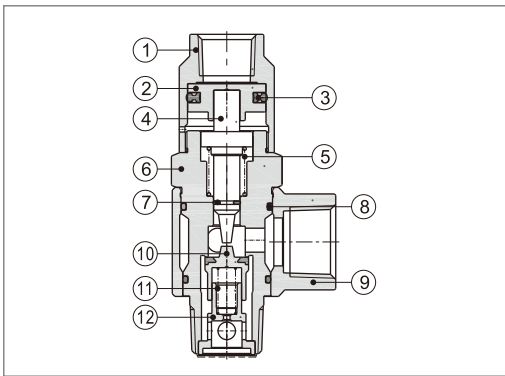
### Typical application

#### Accurate orientation



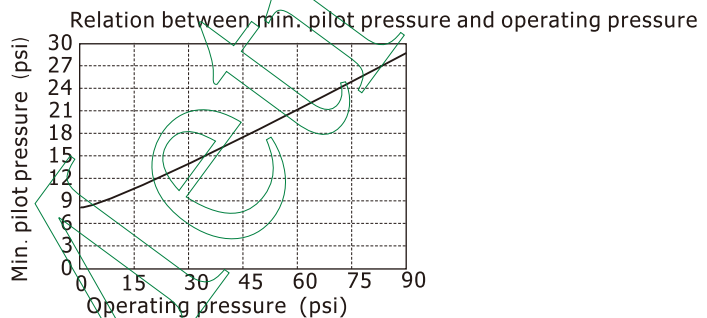
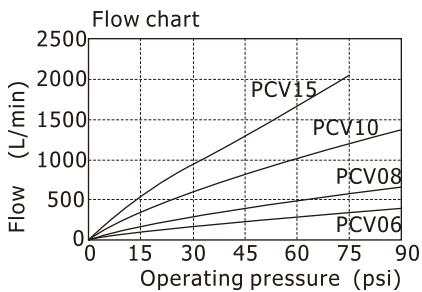
## PCV series

### Inner structure

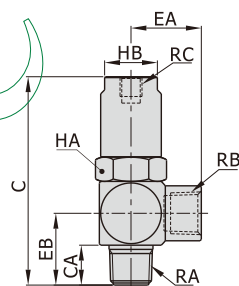


No.	Item	Material	No.	Item	Material
1	Pilot body	Aluminum alloy or Brass	7	Spool O-ring	NBR
2	Piston	Brass	8	O-ring	NBR
3	Gasket	NBR	9	Conversion fitting	Aluminum alloy or Brass
4	Spool	Brass	10	Pluger	Brass+NBR
5	Spring	SUS304	11	Spring	SUS304
6	Body	Brass	12	Pedestal	Brass

### Flow chart, Relation between min. pilot pressure and operating pressure



### Dimensions



Model/Item	C	CA	EA	EB	HA	HB	RA	RB	RC
PCV06	48.5	7.5	16	16.5	14	12	1/8"	1/8"	M5X0.8
PCV08	59	10	20.3	21	17	14	1/4"	1/4"	1/8"
PCV10	74.5	11	25	26	22	17	3/8"	3/8"	1/4"
PCV15	79.5	14	28	29.5	24	19	1/2"	1/2"	1/4"