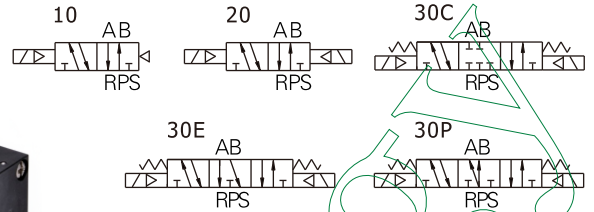


Solenoid valve(5/2 way,5/3 way)

7V Series



Ordering code

7V 2 10 J 08 B 050 T

① ② ③ ④ ⑤ ⑥ ⑦ ⑧

① Model	7V: Solenoid valve(5/2, 5/3 way)		
② Code	05: 0500 Series	1: 100 Series	2: 200 Series
③ Valve type	10: Single solenoid 5/2 way		20: Double solenoid 5/2 way
	30C: Double solenoid 5/3 way closed center		30E: Double solenoid 5/3 way exhaust center
	30P: Double solenoid 5/3 way pressure center		
④ Port type	Blank: Thread type		J: Tube type[Note]
⑤ Port size	Thread	M5: M5	06: 1/8"
	Tube	04: Φ4mm	06: Φ6mm/08: Φ8mm
⑥ Voltage	A: AC220V	B: DC24V	C: AC110V F: DC12V
⑦ Line length		050: 0.5m	200: 2.0m
⑧ Thread type	-		T: NPT

[Note]: The base of the tube type solenoid valve is the oval hole, which is only used with the base, and thread type is unavailable.

Specification

Model	7V0510	7V0520	7V0530	7V110	7V120	7V130	7V210	7V220	7V230
Port size [Note1]	In=Out=Exh=M5			In=Out=Exh=1/8"			In=Out=1/4" Exh=1/8"		
	A port=B port=Φ4			A port=B port=Φ6 or =Φ8			A port=B port=Φ8 or =Φ10		
Orifice size(Cv)	5.0mm ² (0.28)	4.5mm ² (0.25)		9.5mm ² (0.55)	8.0mm ² (0.48)		14.0mm ² (0.83)	11.0mm ² (0.61)	
Weight (g)	80g	90g	100g	80g	90g	100g	120g	135g	145g
Valve type	5 port 2 position		5 port 3 position	5 port 2 position		5 port 3 position	5 port 2 position		5 port 3 position
Fluid	Air(to be filtered by 40 μm filter element)								
Acting	Internal pilot								
Operating pressure	21~114psi(0.15~0.8MPa)								
Proof pressure	175psi(1.2MPa)								
Temperature	-20~70℃								
Material of body	Aluminum alloy								
Lubrication [Note2]	Not required								
Pilot valve's Exhaust type	Centralized exhaust type								
Max.frequency [Note3]	5 cycle/sec		3 cycle/sec	5 cycle/sec		3 cycle/sec	5 cycle/sec		3 cycle/sec

[Note1] NPT thread is available.

[Note2] Once lubricated air is used, continue with same medium to optimise valve life span. Lubricants like ISO VG32 or equivalent are recommended.

[Note3] The maximum actuation frequency is in the no-load state.

Solenoid valve(5/2 way,5/3 way)

7V Series

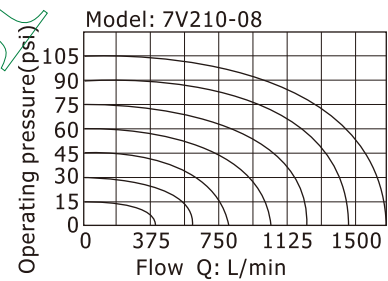
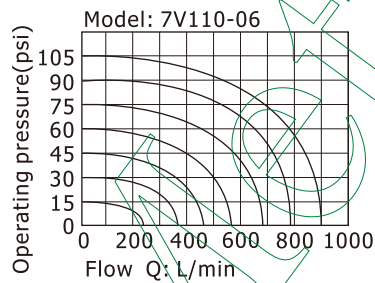
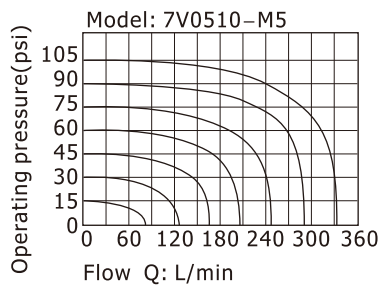
Coil specification

Item	Specification			
Standard voltage	AC220V	AC110V	DC24V	DC12V
Scope of voltage	AC: +15% ~ -10%		DC: ±10%	
Power consumption	1.1VA		0.9W	
Protection	Dustproof			
Temperature classification	F Class			
Electrical entry	Terminal			
Activating time	0.05 sec and below			

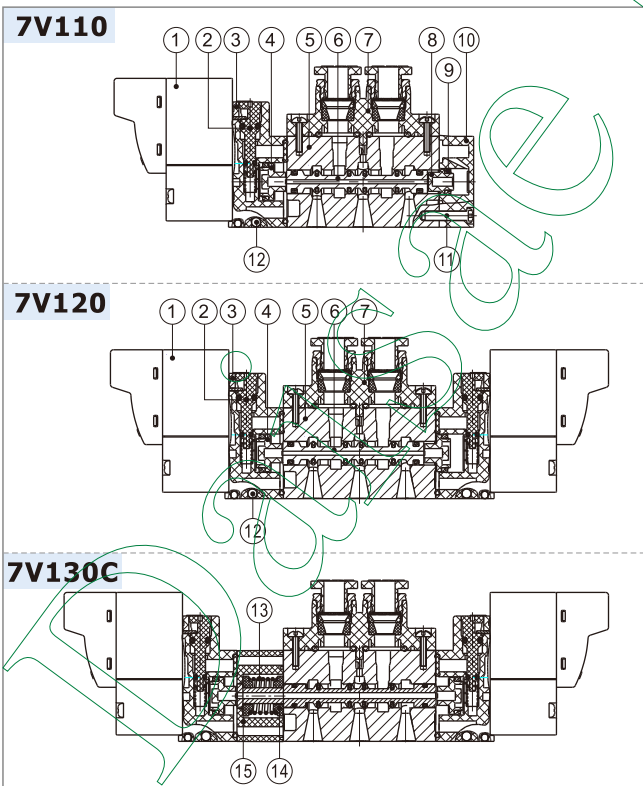
Product feature

1. Electrical entry is terminal, horizontal and vertical insertion can freely switch.
2. Inner exhaust structure to collect pilot airflow, and then exhaust intensively from R, S port.
3. Die-cast molding with aluminum alloy for body. The shape of cavity is reasonable, which can increase valve's flow.
4. Threaded type and quick connector type are optional, and can integrate manifold to form valve group to save space.

Flow chart



Inner structure



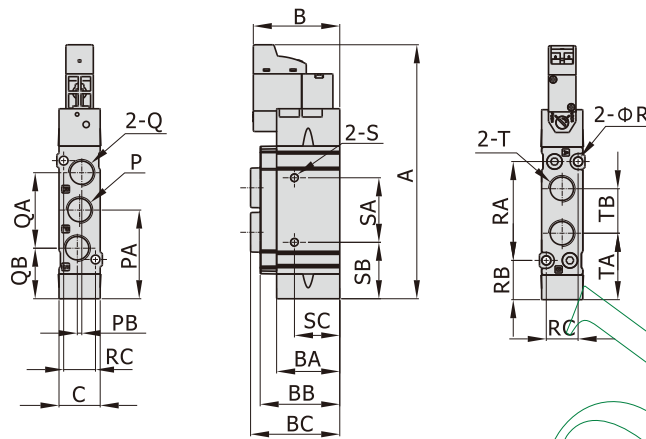
No.	Item	No.	Item	No.	Item
1	Pilot valve	6	Spool	11	Bolt
2	Manual override	7	Connecting block	12	Steel ball
3	Pilot kit	8	Little piston	13	Spring
4	Big piston	9	Gasket	14	Return holder
5	Body	10	Bottom cover	15	Side cover

Solenoid valve(5/2 way,5/3 way)

7V Series

Dimensions

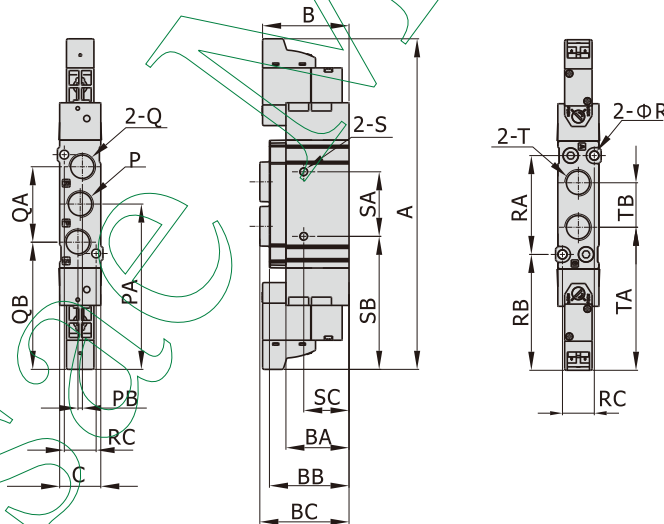
7V0510 7V110 7V210



Model\Item	A	B	BA	BB	BC	C	P	PA	PB	Q	QA	QB	T	TA	TB	R	RA	RB	RC	S	SA	SB	SC
7V0510M5	73	30.5	18.5	23	23.5	10	M5X0.8	22.5	1	M5X0.8	19	13	M5X0.8	17.5	10.5	2.1	21.5	12	8.6	M3X0.5	9.5	17.8	4
7V0510J04							Oval hole			Oval hole			Φ4(tube)							-	-	-	
7V11006	92.5	31.5	23	29	32.5	15	1/8"	32.5	1.6	1/8"	27	18.5	1/8"	24	16	3.2	36	14.5	11.6	M3X0.5	23.5	20.5	16.5
7V110J06					Oval hole		Oval hole			Φ6(tube)			-							-	-		
7V110J08					41.5		Oval hole			Φ8(tube)			-							-	-		
7V21008					40		1/4"			1/4"			1/4"							M4X0.7	20	29	7
7V210J08	106	33	28	34	46.5	18	Oval hole	39	3	Oval hole	36	21	Φ8(tube)	29	20	4.3	42	18	13.6	-	-	-	-
7V210J10					49		Φ10(tube)			-			-							-			

[Note]: The base of the tube type solenoid valve is the oval hole, which is only used with the base. No screw hole "S" on the side.

7V0520 7V120 7V220



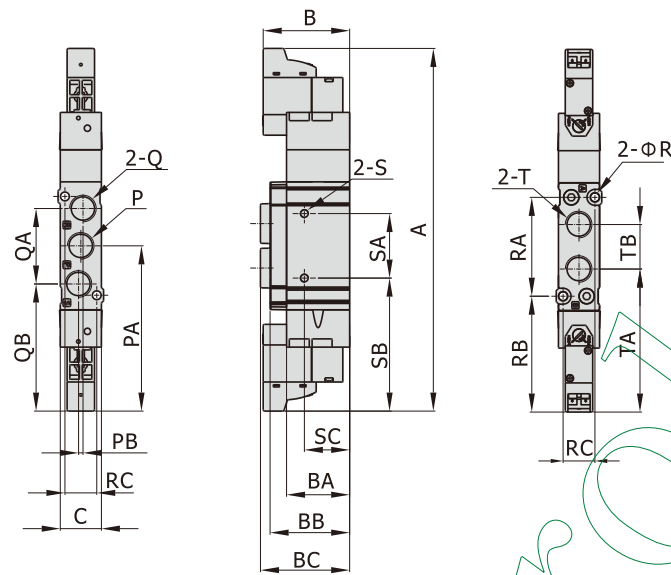
Model\Item	A	B	BA	BB	BC	C	P	PA	PB	Q	QA	QB	T	TA	TB	R	RA	RB	RC	S	SA	SB	SC
7V0520M5	101.5	30.5	18.5	23	23.5	10	M5X0.8	50.5	1	M5X0.8	19	41	M5X0.8	45.5	10.5	2.1	21.5	12	8.6	M3X0.5	9.5	17.8	4
7V0520J04							Oval hole			Oval hole			Φ4(tube)							-	-	-	
7V12006	120.5	31.5	23	29	32.5	15	1/8"	60.5	1.6	1/8"	27	46.5	1/8"	52	16	3.2	36	14.5	11.6	M3X0.5	23.5	48.5	16.5
7V120J06					Oval hole		Oval hole			Φ6(tube)			-							-	-		
7V120J08					41.5		Oval hole			Φ8(tube)			-							-	-		
7V22008					40		1/4"			1/4"			1/4"							M4X0.7	20	57	7
7V220J08	134	33	28	34	46.5	18	Oval hole	67	3	Oval hole	36	49	Φ8(tube)	57	20	4.3	42	18	13.6	-	-	-	-
7V220J10					49		Φ10(tube)			-			-							-			

[Note]: The base of the tube type solenoid valve is the oval hole, which is only used with the base. No screw hole "S" on the side.

Solenoid valve(5/2 way,5/3 way)

7V Series

7V0530 7V130 7V230



Model\Item	A	B	BA	BB	BC	C	P	PA	PB	Q	QA	QB	T	TA	TB	R	RA	RB	RC	S	SA	SB	SC
7V0530M5	110	30.5	18.5	23	23.5	10	M5X0.8	50.5	1	M5X0.8	19	41	M5X0.8	45.5	10.5	2.1	21.5	12	8.6	M3X0.5	9.5	45.8	4
7V0530J04							Oval hole			Oval hole			Φ4(tube)							-			
7V13006	132	31.5	23	29	32.5	15	1/8"	60.5	1.6	1/8"	27	46.5	1/8"	52	16	3.2	36	14.5	11.6	M3X0.5	23.5	48.5	16.5
7V130J06					40		Oval hole			Φ6(tube)			-							-			
7V130J08				41.5	Oval hole	Φ8(tube)	-	-	-	-													
7V23008				147	33	28	34	40	18	1/4"	67	3	1/4"	36	49	1/4"	57	20	4.3	42	18	13.6	M4X0.7
7V230J08	46.5	Oval hole	Φ8(tube)					-		-			-			-							
7V230J10	49	Oval hole	Φ10(tube)					-	-	-	-												

[Note]: The base of the tube type solenoid valve is the oval hole, which is only used with the base. No screw hole "S" on the side.

Solenoid valve(5/2 way,5/3 way)

Manifold for 7V series



Ordering code

Ordering code for manifold

7V100M 5F T

① ② ③

① Model	7V0500M: 7V0500 Series manifold	7V100M: 7V100 Series manifold	7V200M: 7V200 Series manifold
② Number of stations	1F: 1 Station	2F: 2 Station	3F: 3 Station 16F: 16 Station
③ Thread type	T: NPT		

Ordering code for blank plate

P-7V100M-R2

① ②

① Model	7V0500M: 7V0500 Series manifold	7V100M: 7V100 Series manifold	7V200M: 7V200 Series manifold
② Code	R2: Blank plate for manifold		

[Note] 1.Manifold kits contains manifold, seal and screw; 2. Blank plate kits contains blank plate and screw.

Specification

Item \ Manifold Model	7V0500M	7V100M	7V200M
Fluid	Air(to be filtered by 40 μm filter element)		
Temperature	-20~70°C		
Adaptable valve's series	7V0500 Series	7V100 Series	7V200 Series

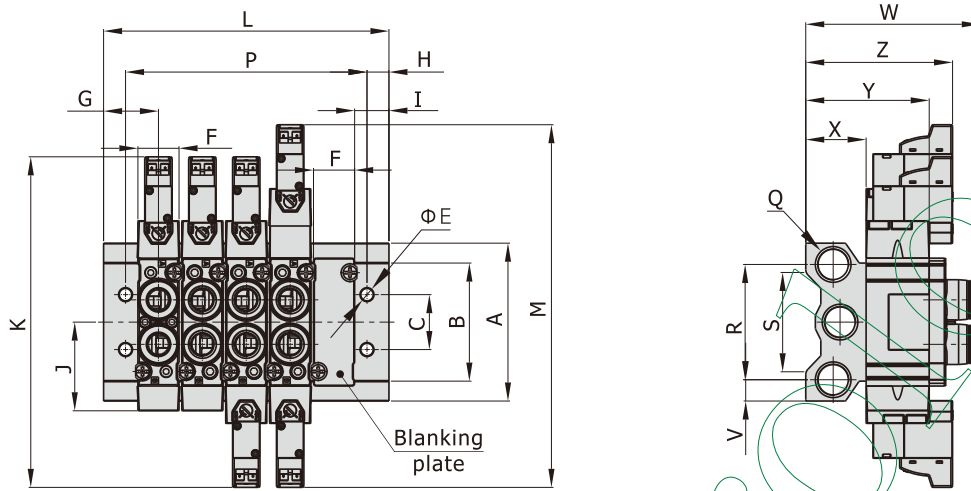
Product feature

1. It is available to integrate the direction control valves of the same series to form valve group to save space and cost.
2. It is easy to examine when there are faults owing to the unified air intake and exhaust and unified wiring.
3. Flexible combination and strong expansion capability can make any combination or expansion of the numbers of direction control valves that are connected.

Solenoid valve(5/2 way,5/3 way)

Manifold for 7V series

Dimensions



Model\Item	A	B	C	E	F	G	H	I	J	K	M	Q	R	S	V	W			X	Y	Z
7V0500M	46	32	16	4.5	10	17.5	7.5	12.5	22.5	102	110	1/8"	32	26	7	23.5(M5)	32.5(J04)	32.5(J06)	17	35.5	47.5
7V100M	57.5	43	20	4.5	15	20	8	12.5	32	121	132	1/4"	40	36	9	32.5(06)	40(J06)	41.5(J08)	22	45	53.5
7V200M	60	52	21	4.5	18	22	8.5	13	39	134	147	1/4"	42	38	9	40(08)	46.5(J08)	49(J10)	24	52	57

Model\Item	L															
	1F	2F	3F	4F	5F	6F	7F	8F	9F	10F	11F	12F	13F	14F	15F	16F
7V0500M	35	45.5	56	66.5	77	87.5	98	109	119	130	140	150.5	161	172	182	192.5
7V100M	40	56	72	88	104	120	136	152	168	184	200	216	232	248	264	280
7V200M	44	63	82	101	120	139	158	177	196	215	234	253	272	291	310	329

Model\Item	P															
	1F	2F	3F	4F	5F	6F	7F	8F	9F	10F	11F	12F	13F	14F	15F	16F
7V0500M	20	30.5	41	51.5	62	72.5	83	93.5	104	115	125	135.5	146	157	167	177.5
7V100M	24	40	56	72	88	104	120	136	152	168	184	200	216	232	248	264
7V200M	27	46	65	84	103	122	141	160	179	198	217	236	255	274	293	312