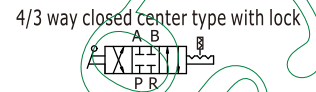
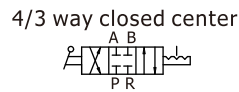
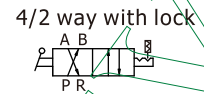
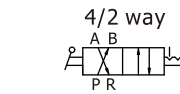
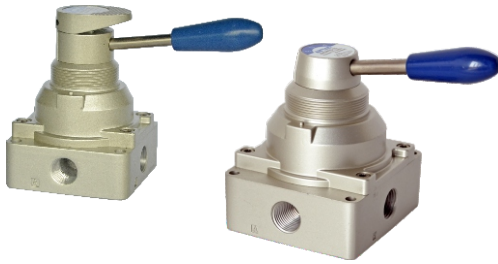


Hand lever valve (4/2 way, 4/3 way)

4HV, 4HVL Series



Ordering code

4HV 2 30 06 S L T

① ② ③ ④ ⑤ ⑥ ⑦

① Model	② Code	③ Valve type	④ Port size	⑤ Installation	⑥ Note	⑦ Thread type
4HV: Hand lever valve	2: 2 Series	10: 4 port 2 position 30: 4 port 3 position [Note 1]	06: 1/8" 08: 1/4"	Blank: Body installation S: Panel installation [Note 2]	Blank: Without lock L: With lock	T: NPT
	3: 3 Series		08: 1/4" 10: 3/8"			
	4: 4 Series		15: 1/2" 20: 3/4"			

[Note 1] 4 port 3 position only has closed center type.

[Note 2] The panel installation can be attached with installing nut.

Specification

Model	4HV2□□-06(L)	4HV2□□-08(L)	4HV3□□-08(L)	4HV3□□-10(L)	4HV4□□-15(L)	4HV4□□-20(L)
Fluid	Air (to be filtered by 40 μm filter element)					
Operating	Manual control direct acting type					
Port size [Note 1]	1/8"	1/4"	1/4"	3/8"	1/2"	3/4"
Orifice size	14.0mm ² (Cv=0.78)	16.0mm ² (Cv=0.89)	30.0mm ² (Cv=1.67)	33.0mm ² (Cv=1.83)	88.0mm ² (Cv=4.89)	95.0mm ² (Cv=5.27)
Valve type	4/2 Way, 4/3 Way					
Lubrication	Not required					
Pressure range	0~145psi(0~1.0MPa)					
Proof pressure	215psi(1.5MPa)					
Temperature	-20~70°C					
Operating angle	90°(4/3 Way: 45°)					

[Note 1] NPT thread is available.

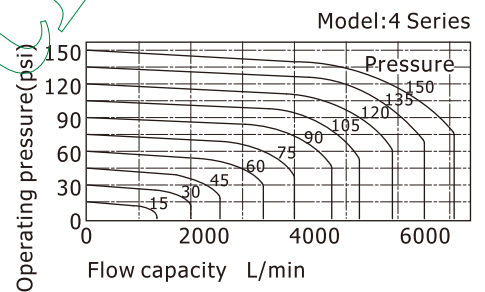
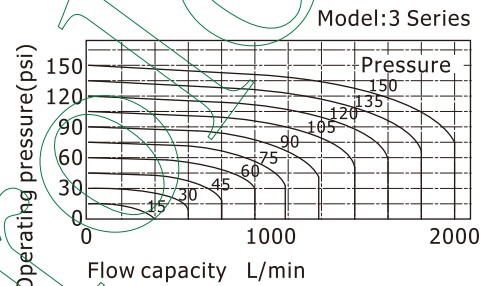
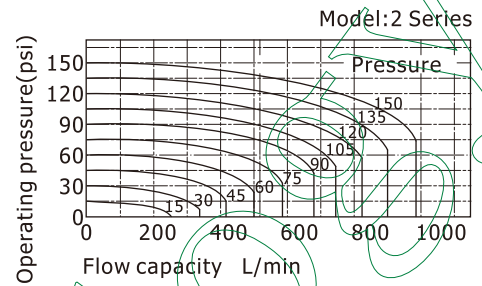
Hand lever valve (4/2 way, 4/3 way)

4HV, 4HVL Series

Product feature

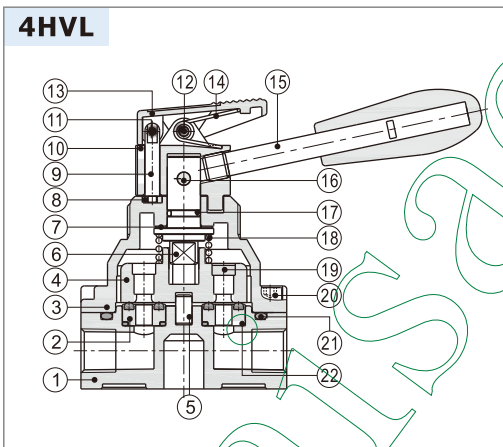
1. The direction-change turns lightly with good hand feeling and exact orientation.
2. Large effective circulating area leads to little pressure loss.
3. Panel and body installation are optional. The panel installation can be attached with installing nut.

Flow chart



Inner structure

4HVL



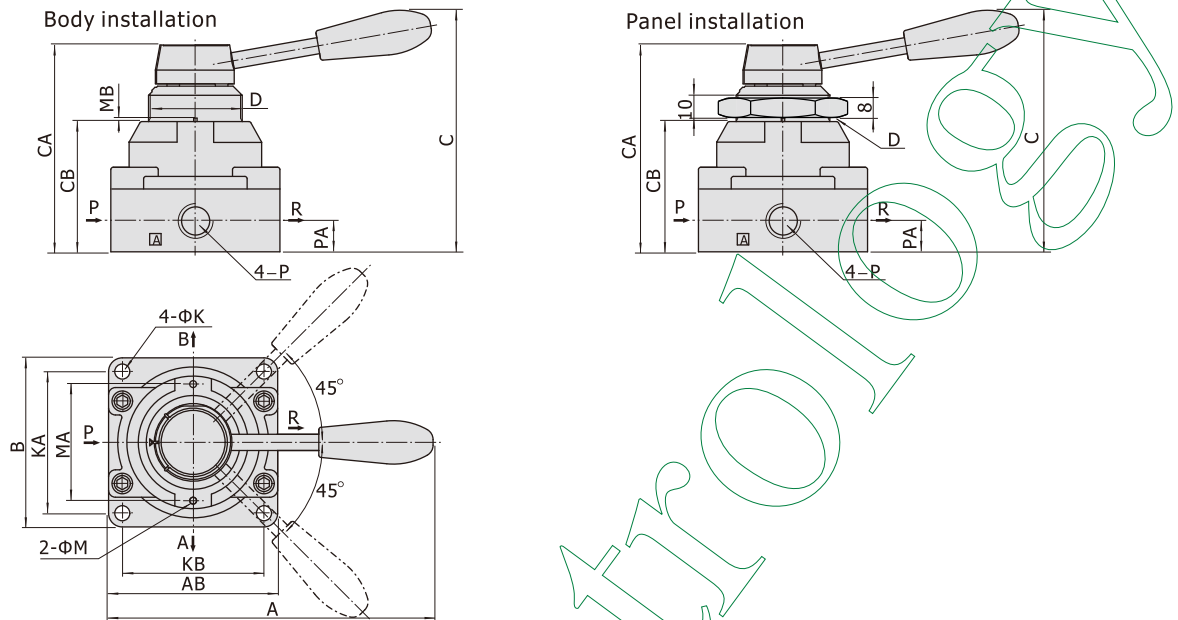
No.	Item	No.	Item	No.	Item
1	Body	9	Lock pin	17	Shaft O-ring
2	Seal base	10	Valve cap	18	Spring
3	Valve cover	11	Spring pin	19	Iron plate
4	Valve plug	12	Pin one	20	Fixing screw
5	Column pin	13	Front cover	21	Body O-ring
6	Shaft	14	Spring	22	Seal base O-ring
7	Washer	15	Handle		
8	Fixing plate	16	Pin two		

Hand lever valve (4/2 way, 4/3 way)

4HV, 4HVL Series

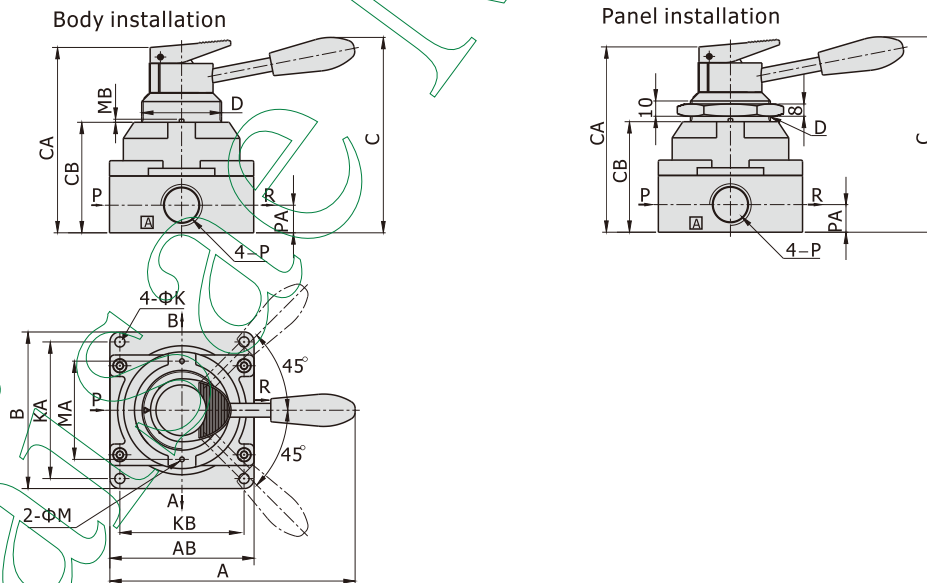
Dimensions

4HV



Model\Item	A	AB	B	C	CA	CB	D	K	KA	KB	M	MA	MB	P	PA
4HV2□□-06	120	62	62	92.5	73	45	M34×1.5	5.5	49	49	3	40	1.5	1/8"	11.5
4HV2□□-08	120	62	62	92.5	73	45	M34×1.5	5.5	49	49	3	40	1.5	1/4"	11.5
4HV3□□-08	140	74	74	104	88.5	56	M40×1.5	6.5	62	62	3	51	1.5	1/4"	13.5
4HV3□□-10	140	74	74	104	88.5	56	M40×1.5	6.5	62	62	3	51	1.5	3/8"	13.5
4HV4□□-15	160	94	102	128	110	72	M52×1.5	6.5	89	81	3	64	2	1/2"	18
4HV4□□-20	160	94	102	128	110	72	M52×1.5	6.5	89	81	3	64	2	3/4"	18

4HVL



Model\Item	A	AB	B	C	CA	CB	D	K	KA	KB	M	MA	MB	P	PA
4HV2□□-06L	120	62	62	92.5	84	45	M34×1.5	5.5	49	49	3	40	1.5	1/8"	11.5
4HV2□□-08L	120	62	62	92.5	84	45	M34×1.5	5.5	49	49	3	40	1.5	1/4"	11.5
4HV3□□-08L	140	74	74	104	99	56	M40×1.5	6.5	62	62	3	51	1.5	1/4"	13.5
4HV3□□-10L	140	74	74	104	99	56	M40×1.5	6.5	62	62	3	51	1.5	3/8"	13.5
4HV4□□-15L	160	94	102	128	121	72	M52×1.5	6.5	89	81	3	64	2	1/2"	18
4HV4□□-20L	160	94	102	128	121	72	M52×1.5	6.5	89	81	3	64	2	3/4"	18